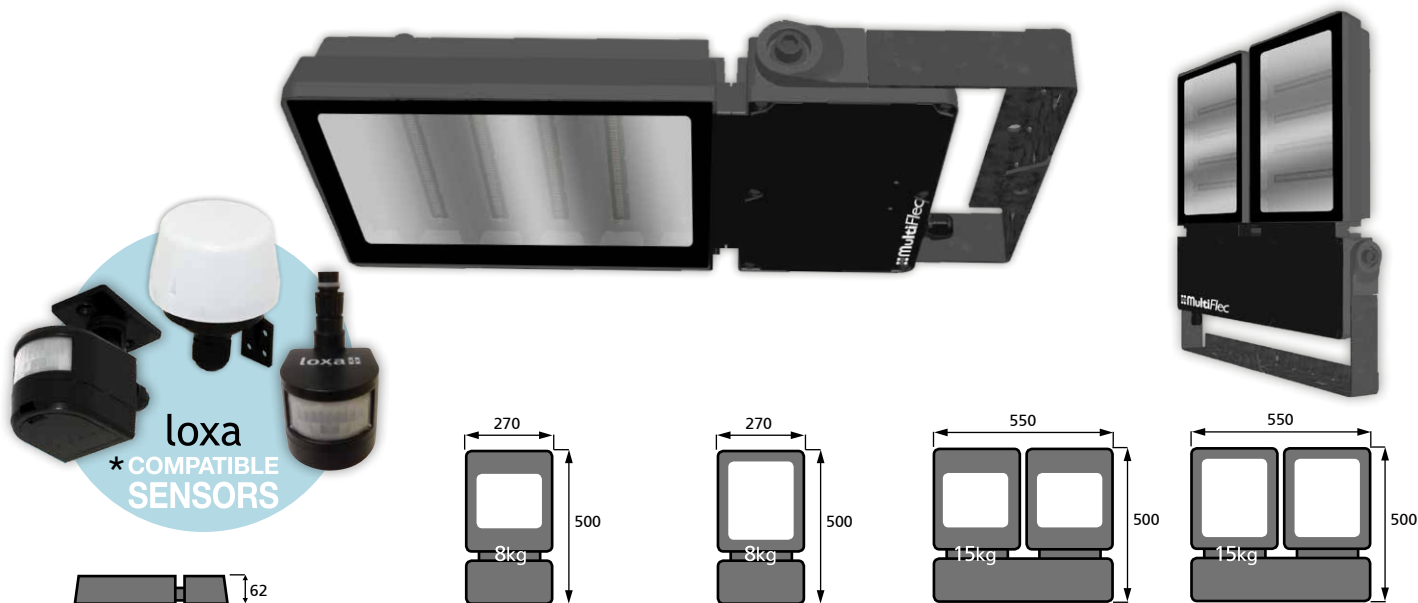
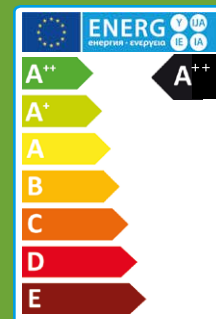


loxa

VARIFLEC Flood Lights

- Save up to 90% on energy costs
- Instant start. Flicker free
- No mercury or other hazardous materials
- >60,000 hours. Low heat
- Food-safe polycarbonate covers



Part Code	* FL-080-4K-B-S-1	* FL-120-4K-B-S-1	FL-160-4K-B-0-1	FL-240-4K-B-0-1
LUMINESCENCE				
Light colour	4000 K	4000 K	4000 K	4000 K
Ra, Consistency	Ra80, 3-4 SDCM	Ra80, 3-4 SDCM	Ra80, 3-4 SDCM	Ra80, 3-4 SDCM
Luminous flux, Candela	8335 Lm , 3214cd	12335 Lm , 4822cd	16768 Lm , 6429cd	24536 Lm , 9643cd
Beam angles	X104° Y61°	X104° Y61°	X104° Y61°	X104° Y61°
Warm up time	Instant	Instant	Instant	Instant
Dimming	N/A	N/A	N/A	N/A
TECHNICAL				
Power input (50-60Hz 110-230VAC)	80.6W	120.9W	161.3W	241.9W
Power factor & Current	≥0.97, 0.5A	≥0.97, 0.5A	≥0.97, 1.0A	≥0.97, 1.0A
Lamp type	Samsung 561B+ SMD	Samsung 561B+ SMD	Samsung 561B+ SMD	Samsung 561B+ SMD
Fire resistance	FR materials	FR materials	FR materials	FR materials
Working temperature	-30°C, +45°C	-30°C, +45°C	-30°C, +45°C	-30°C, +45°C
Construction	Aluminium case, polycarbonate covers, Alanod reflectors, stainless steel brackets			
Features	IP65, Sensor port	IP65, Sensor port	IP65	IP65
EFFICIENCY				
Efficacy	A++, 104 llm/cW	A++, 102 llm/cW	A++, 104 llm/cW	A++, 102 llm/cW
Ec (Energy consumption)	80.6 kWh/1000h	120.9 kWh/1000h	161.3 kWh/1000h	241.9 kWh/1000h
Switching cycles	100,000x	100,000x	100,000x	100,000x
Building / Wiring Regs	Part L, Part E compliant	Part L, Part E compliant	Part L, Part E compliant	Part L, Part E compliant
Lifetime (L80)	>60,000 h	>60,000 h	>60,000 h	>60,000 h
Warranty	5 years	5 years	5 years	5 years
Country of origin	United Kingdom	United Kingdom	United Kingdom	United Kingdom



Tel: +44 (0)330 5554433
www.loxa.co.uk

102 Kirkstall Road
LEEDS LS3 1JA (UK)



Flood Lights

FL-080-4K-B-S-1

FL-120-4K-B-S-1

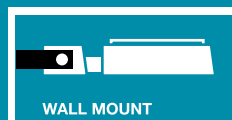
FL-160-4K-B-0-1

FL-240-4K-B-0-1

Fixing

Single and dual head fittings include a U bracket suitable for most wall and canopy fixings. All Loxa-Multiflec flood lights incorporate an asymmetric reflector array designed to be compliant with the dark sky initiative and meet UK planning requirements for exterior lighting. Loxa-Multiflec floodlights should be mounted horizontally to provide maximum light output to ground.

MOUNT HORIZONTALLY



Ecology in UK manufacturing

With reliability and longevity our top priorities, we are very proud of the products that we manufacture – all Loxa products are rigorously checked and tested at various stages throughout assembly. However, we also adhere to ecological production principals, so we do not reject for minor cosmetic defects if they will not affect performance or lifetime and won't be visible when installed.

All fittings are manufactured with UK die cast casings using premium LM24 grade aluminium. The casings are then dipped to receive an Iridite NCP coating that is actually rated to provide 3,000 hours salt-spray protection on its own. But we don't stop there; we then treat all flood lights with a tough two-pack epoxy black finish. Stainless steel screws and fastenings are used throughout the assembly process, and with the addition of 304 grade stainless steel brackets (galvanised mild steel in earlier models) and UV2 polycarbonate lamp covers, Loxa products can handle the harshest climates.

Beam angles

